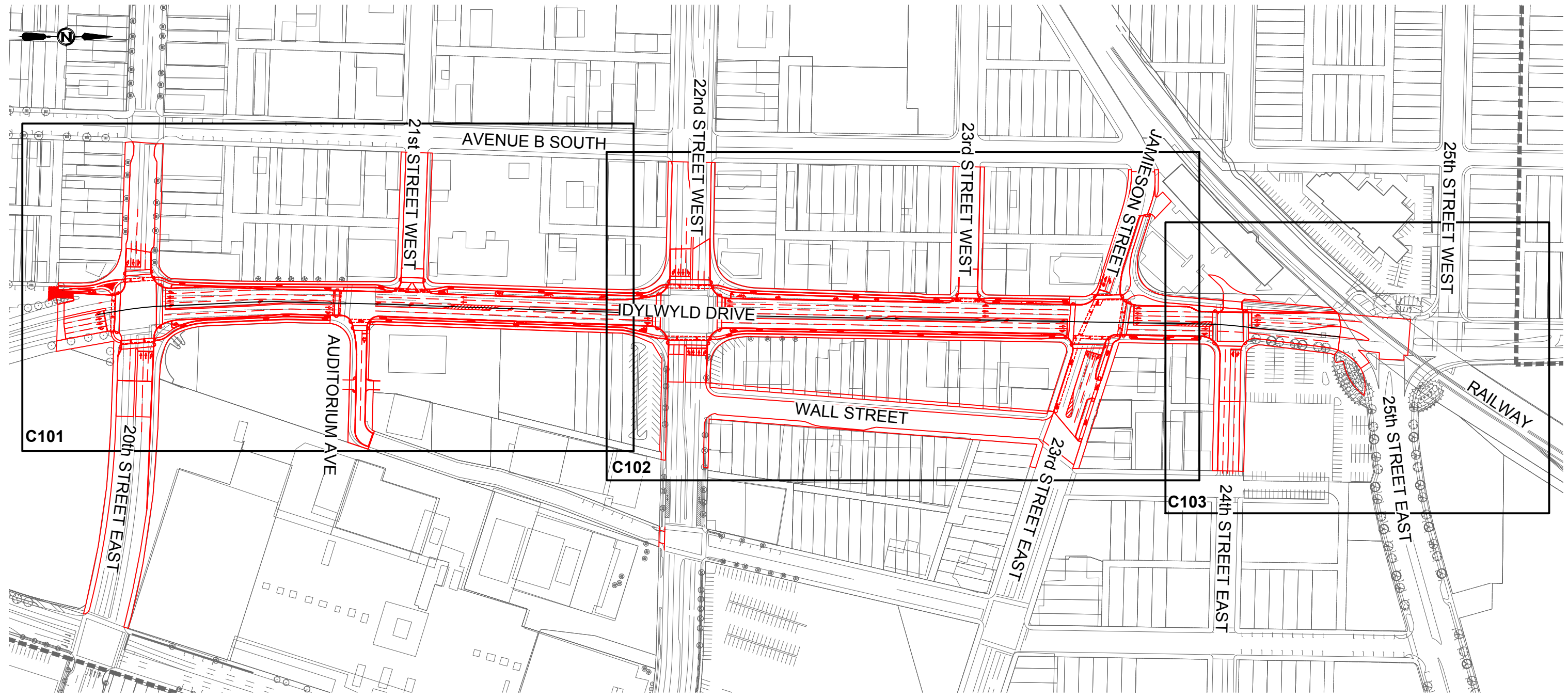


IF NOT 25 mm ADJUST SCALES
25 mm
SCALE(S) SHOWN ARE INTENDED FOR TABLOID (11X17) SIZE DRAWINGS UNLESS NOTED OTHERWISE



KEY PLAN 1:2500

W:\vel_infrastructure\tasks\20164867-ib\dwg\02018-04-12-Final_Draft\100_Civil\4867-00-c-001-301.dwg
DATE: 2018-04-13, Chris Durcan



AE PROJECT No.	20164867
SCALE	AS SHOWN
APPROVED	K. STURGEON
DATE	2018APR13
REV	A
DESCRIPTION	FINAL DRAFT

FUNCTIONAL PLAN

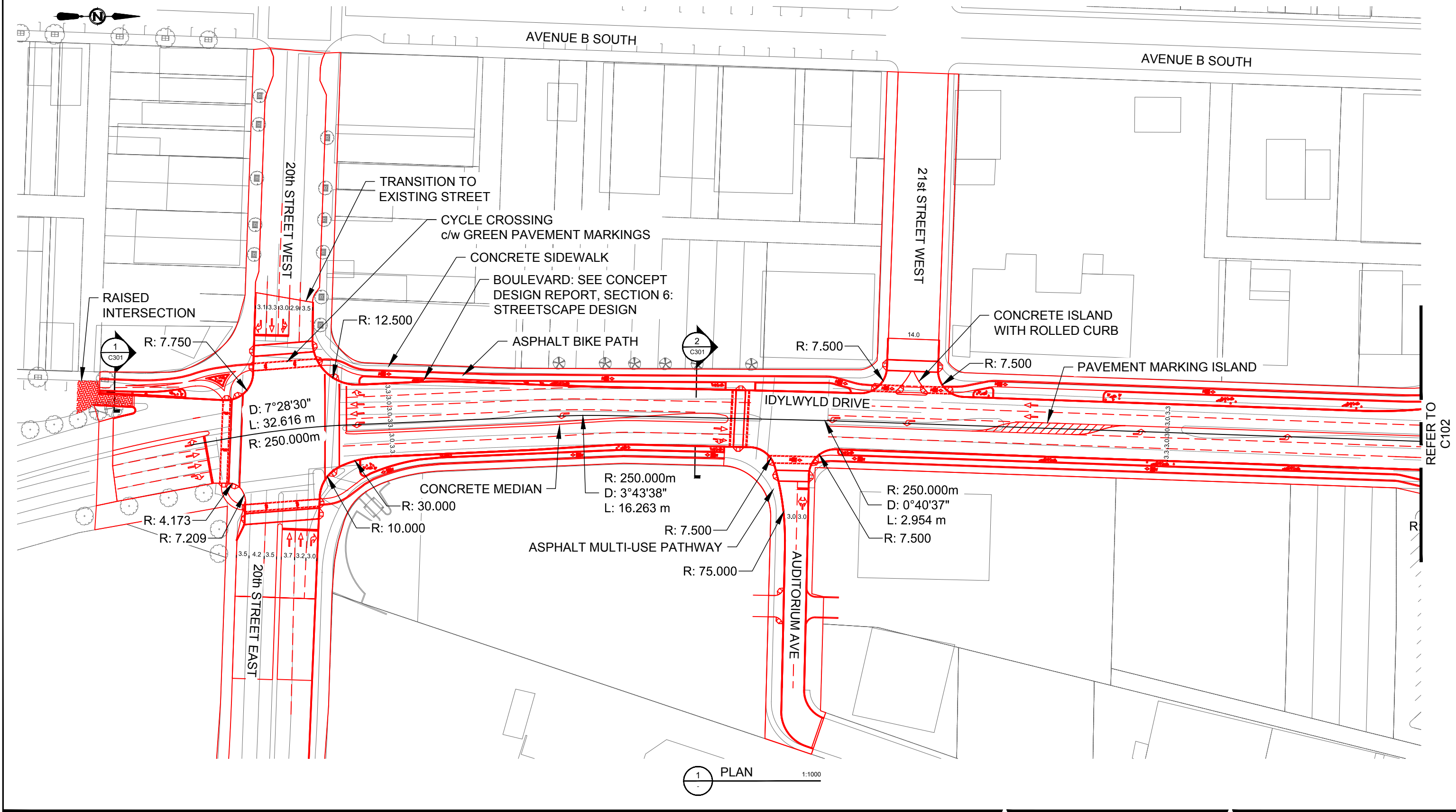
CITY OF SASKATOON
HOK, INC

TRANSPORTATION
IDYLWYLD DRIVE
RECOMMENDED PLAN

FOR PLANNING ONLY
NOT FOR CONSTRUCTION

DWG No.

C001



1 PLAN 1:1000

REFER TO C102

W:\vel_infrastructure\tasks\20164867-Idylwyld\Drawings\2018-04-12-Final_Draft\100_Civil\4867-00-c-001-301.dwg
DATE: 2018-04-13, Chris Durcan



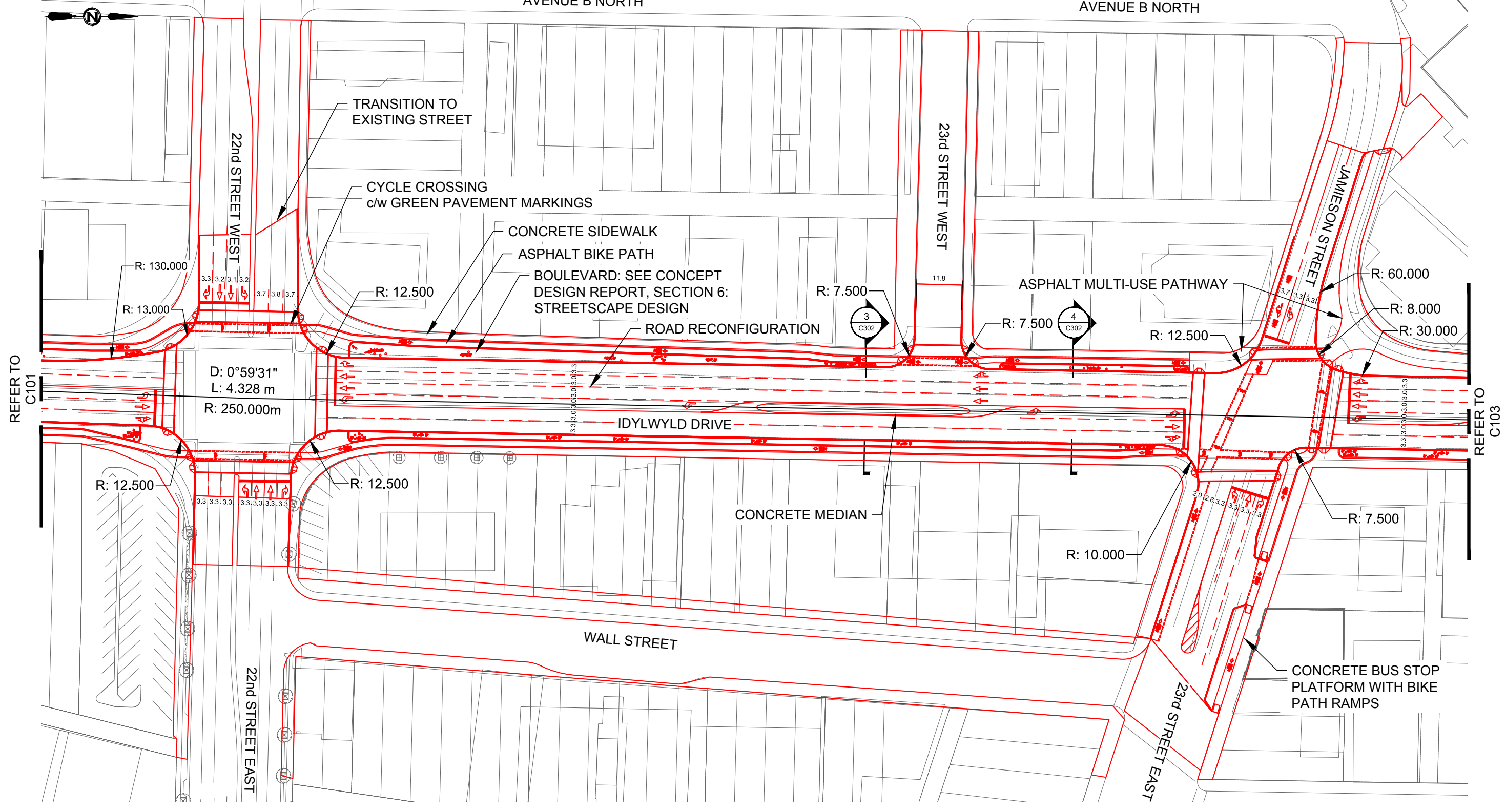
AE PROJECT No.	20164867
SCALE	AS SHOWN
APPROVED	K. STURGEON
DATE	2018APR13
REV	A
DESCRIPTION	FINAL DRAFT

FUNCTIONAL PLAN	
CITY OF SASKATOON HOK, INC	
TRANSPORTATION IDYLWYLD DRIVE RECOMMENDED PLAN	
DWG No.	C101

FOR PLANNING ONLY
NOT FOR CONSTRUCTION

AVENUE B NORTH

AVENUE B NORTH



REFER TO
C101

REFER TO
C103

2 PLAN 1:1000

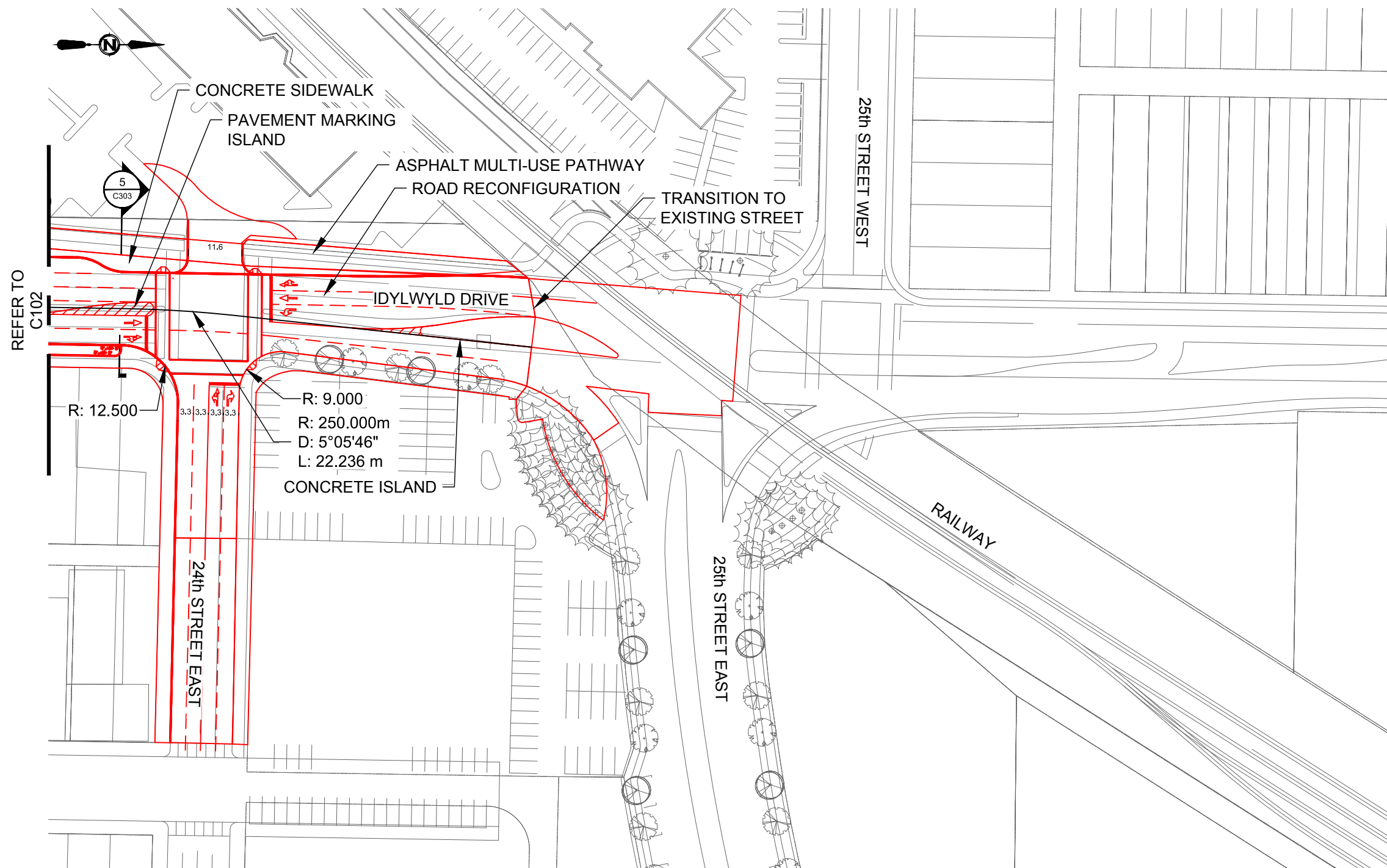
W:\a\infrastructure\sask20164867\idylwyld\2018-04-12\Final_Draft\100_Civil\4867-00-c-001-301.dwg
DATE: 2018-04-13, Chris Duncan



AE PROJECT No.	20164867
SCALE	AS SHOWN
APPROVED	K. STURGEON
DATE	2018APR13
REV	A
DESCRIPTION	FINAL DRAFT

FUNCTIONAL PLAN	
CITY OF SASKATOON HOK, INC	
TRANSPORTATION IDYLWYLD DRIVE RECOMMENDED PLAN	
DWG No.	C102

FOR PLANNING ONLY
NOT FOR CONSTRUCTION



3 PLAN 1:1000

REFER TO
C102

W:\a\Infrastructure\Saskatoon\164867-Idylwyld\2018-04-12\Final_Draft\100_Civil\164867-00-c-001-301.dwg
DATE: 2018-04-13, Chris Duncan

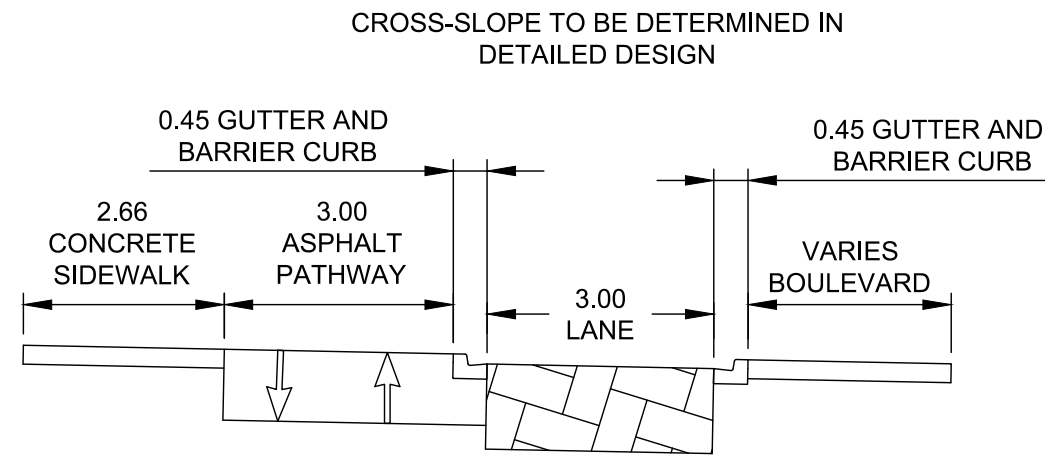


1 - 2225 Norridge Drive, Saskatoon, Saskatchewan, S7L 6X6
Ph: 306 653 4969 Fax: 306 242 4904
www.ae.ca

AE PROJECT No.	20164867
SCALE	AS SHOWN
APPROVED	K. STURGEON
DATE	2018APR13
REV	A
DESCRIPTION	FINAL DRAFT

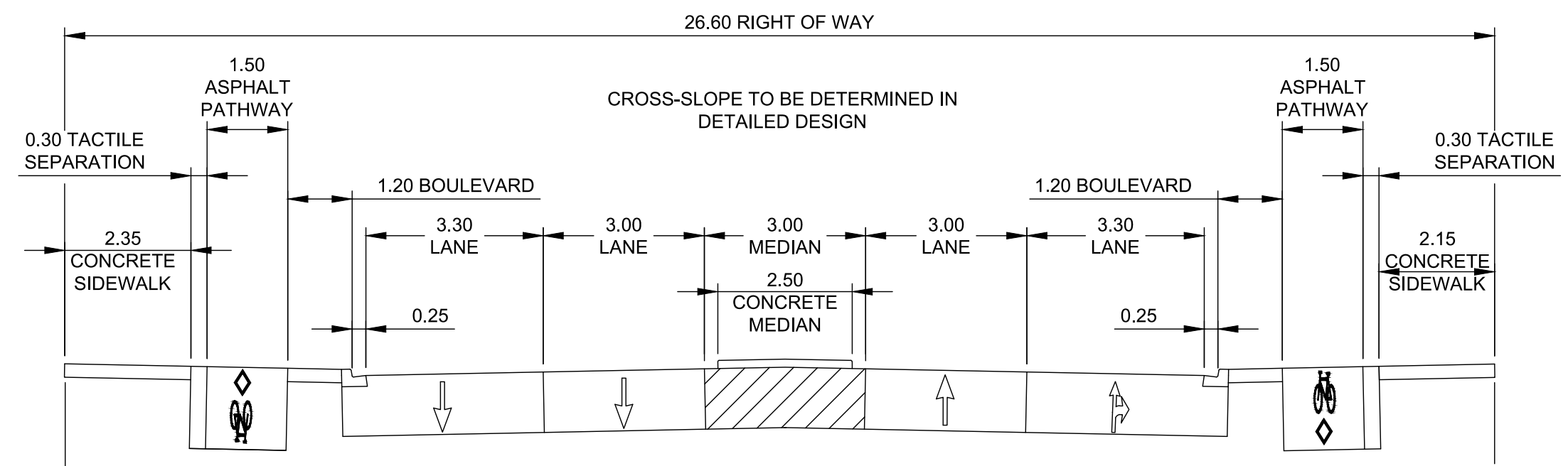
FUNCTIONAL PLAN
CITY OF SASKATOON HOK, INC
TRANSPORTATION IDYLWYLD DRIVE RECOMMENDED PLAN

FOR PLANNING ONLY
NOT FOR CONSTRUCTION



NOTES:
1. REFER TO CITY OF SASKATOON STANDARD DRAWING 102-0001-002r001 FOR CURB AND BOULEVARD DETAILS.

1 SECTION 1:100
AVENUE A SOUTH - SOUTH OF 20TH STREET WEST



NOTES:
1. REFER TO CITY OF SASKATOON STANDARD DRAWING 102-0001-002r001 FOR CURB AND BOULEVARD DETAILS.

2 SECTION 1:100
30 m SOUTH OF AUDITORIUM AVE

W:\a\Infrastructure\sasko\20164867\2018-04-12\Final_Draft\100_Civil\4867-00-c-001-301.dwg
DATE: 2018-04-13, Chris Duncan



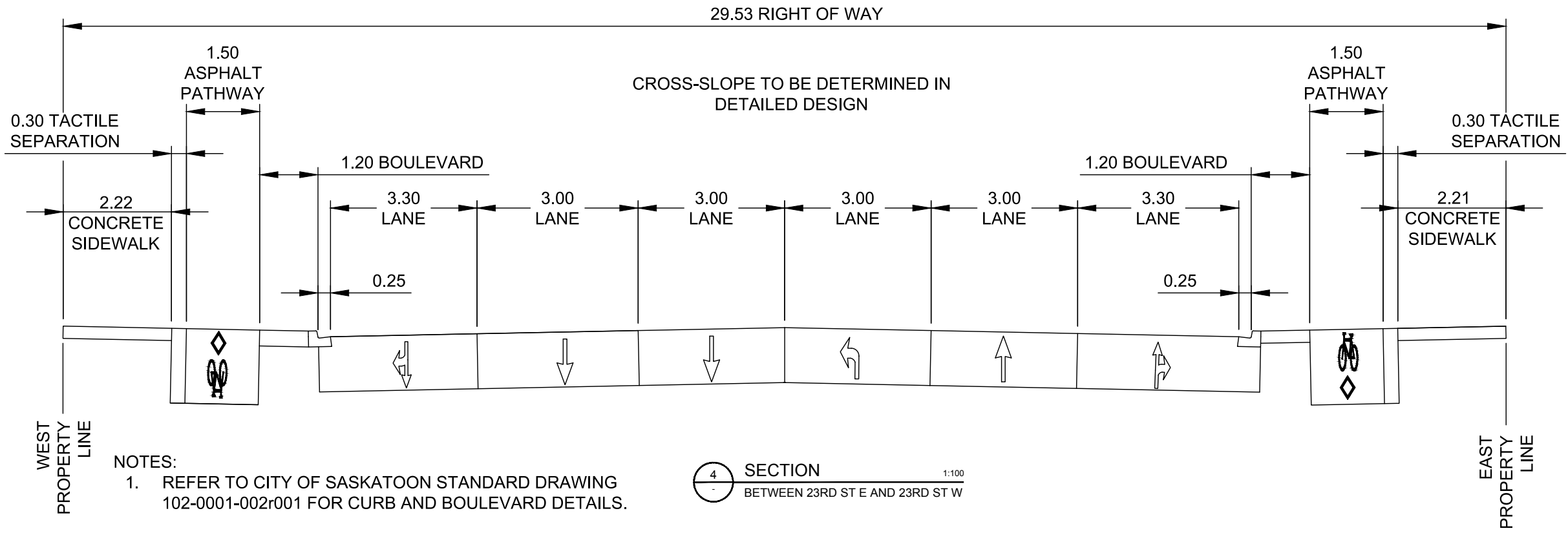
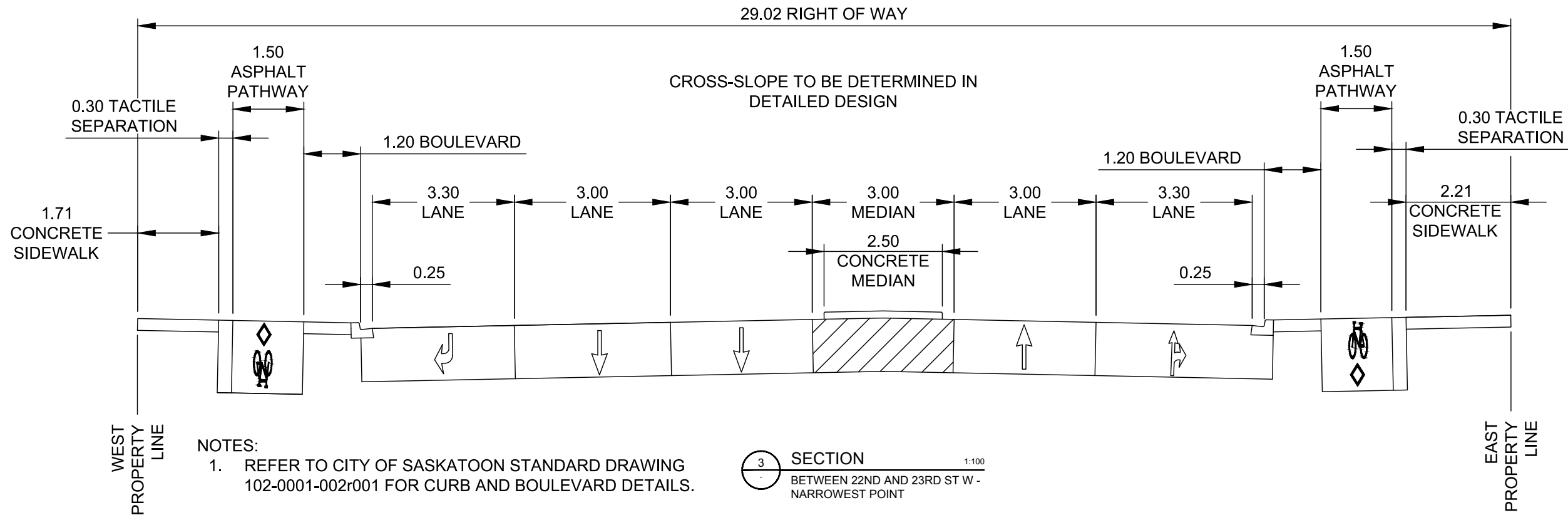
AE PROJECT No.	20164867
SCALE	AS SHOWN
APPROVED	K. STURGEON
DATE	2018APR13
REV	A
DESCRIPTION	FINAL DRAFT

FUNCTIONAL PLAN
CITY OF SASKATOON
HOK, INC

FOR PLANNING ONLY
NOT FOR CONSTRUCTION

TRANSPORTATION
IDYLWYLD DRIVE
RECOMMENDED PLAN

DWG No. C301



W:\a\Infrastructure\Saskatoon\2018\4867\2018-04-12\Final_Draft\100_Civil\4867-00-c001-301.dwg
DATE: 2018-04-13, Chris Duncan



AE PROJECT No.	20164867
SCALE	AS SHOWN
APPROVED	K. STURGEON
DATE	2018APR13
REV	A
DESCRIPTION	FINAL DRAFT

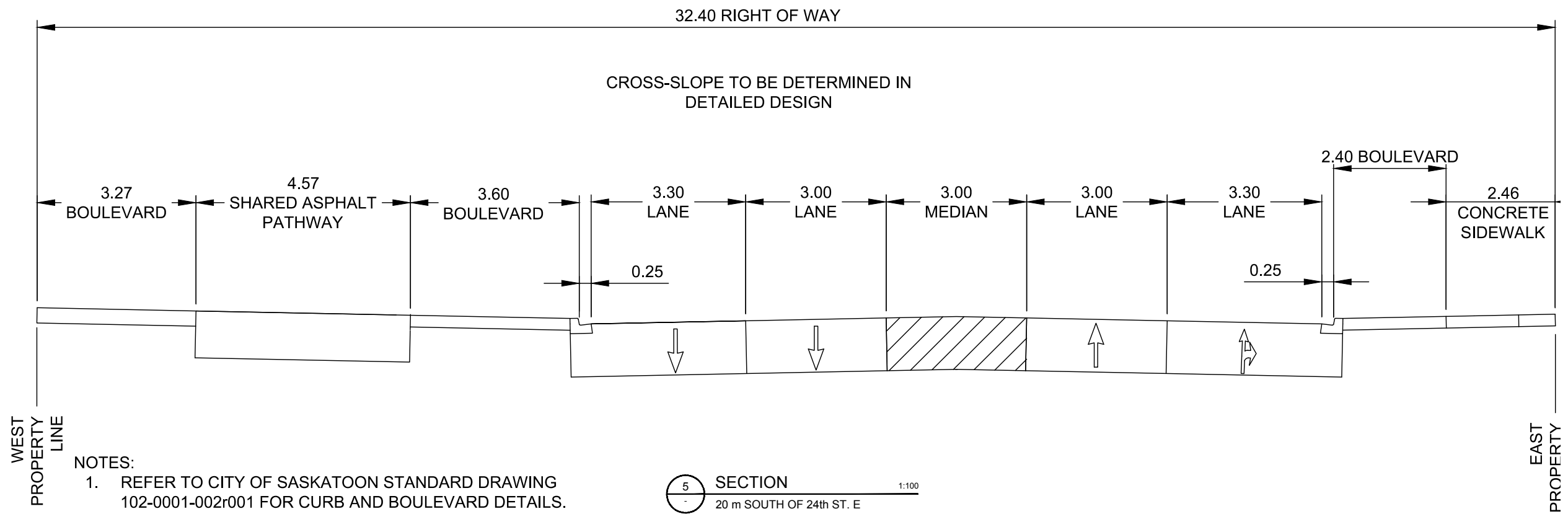
FUNCTIONAL PLAN

CITY OF SASKATOON
HOK, INC

TRANSPORTATION
IDYLWYLD DRIVE
RECOMMENDED PLAN

FOR PLANNING ONLY
NOT FOR CONSTRUCTION

DWG No. C302



W:\a\Infrastructure\sasko\20164867\2018-04-12\Final_Draft\100_Civil\4867-00-c-001-301.dwg
DATE: 2018-04-13, Chris Duncan



AE PROJECT No.	20164867
SCALE	AS SHOWN
APPROVED	K. STURGEON
DATE	2018APR13
REV	A
DESCRIPTION	FINAL DRAFT

FUNCTIONAL PLAN

CITY OF SASKATOON
HOK, INC

TRANSPORTATION
IDYLWYLD DRIVE
RECOMMENDED PLAN

FOR PLANNING ONLY
NOT FOR CONSTRUCTION

DWG No. C303