

TOE OF SLOPE OF APPROACH ROADS TO BRIDGE -----

FUNCTIONAL

PROJECT NO. 504-0047-100r001

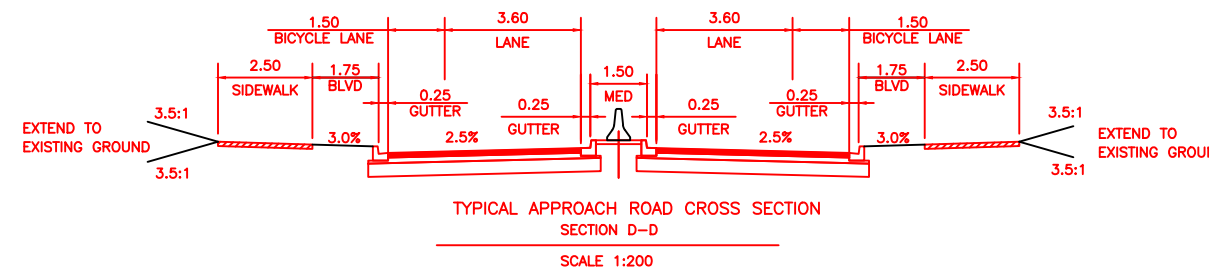
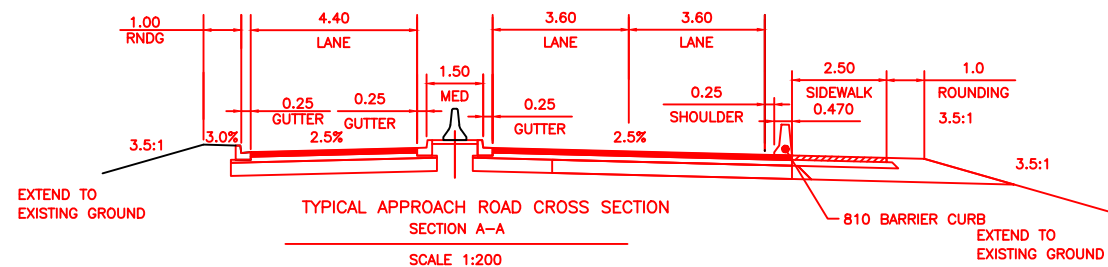
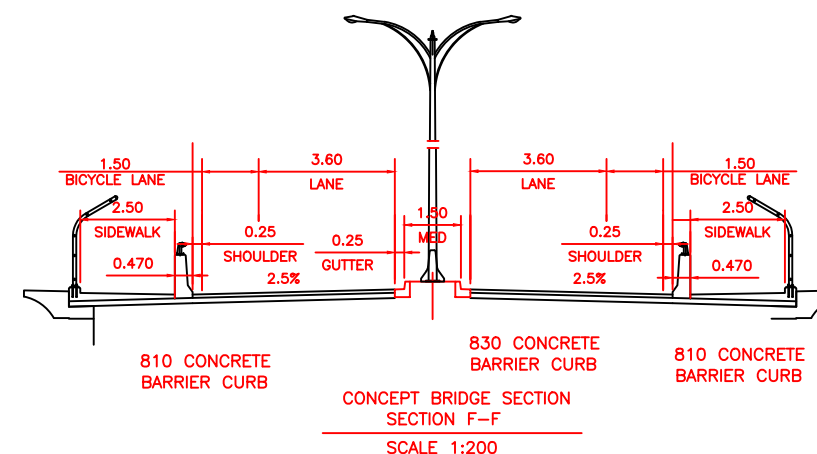
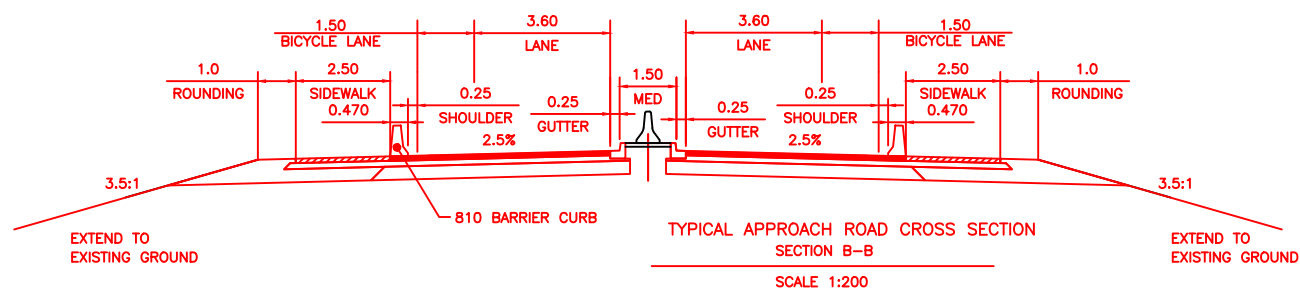
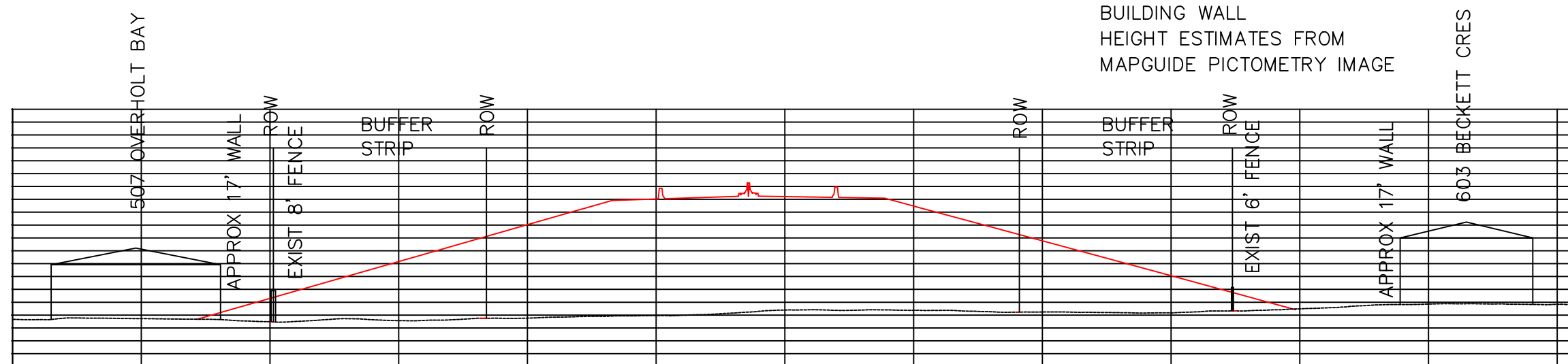
| | |
|--------------------------------------|-------------------------|
| TRANSPORTATION DIVISION – FUNCTIONAL | |
| ENGINEER _____ | ENGINEER _____ |
| DATE _____ | DATE _____ |
| DRAWN BY <u>LCI</u> | DATE <u>2011-OCT-05</u> |



City of Saskatoon
Transportation & Utilities Department

McKERCHER – BERINI CONNECTION
BERINI CP RAIL OVERPASS
McKERCHER DR TO BERINI DR
CONCEPT FUNCTIONAL GEOMETRICS

| | |
|-------------------------|---------------------------|
| DIRECTOR _____ | |
| SCALES : HOR. 1:4000 | DATE _____ |
| VERT. _____ | |
| SHEET NO. _____ | PLAN NO. 213-0998-011r001 |



FUNCTIONAL
PROJECT NO. 504-0047-100r001

| | |
|--------------------------------------|-------------------|
| TRANSPORTATION DIVISION - FUNCTIONAL | |
| ENGINEER | ENGINEER |
| DATE | DATE |
| DRAWN BY: LCI | DATE: 2011-OCT-05 |

City of Saskatoon
Transportation & Utilities Department

McKERCHER - BERINI CONNECTION
CROSS SECTIONS

| | |
|-------------|------------------|
| DIRECTOR | |
| SCALES: | DATE |
| HOR. 1:400 | |
| VERT. 1:400 | |
| SHEET NO. | PLAN NO. |
| | 213-0998-016r001 |

RAILWAY VERTICAL CLEARANCE

1999 TAC PG 2.1.3.13

1. MIN VERTICAL CLEARANCE FROM BASE OF RAIL 6.858 m (22.5 FEET)
2. MIN VERTICAL CLEARANCE FROM BASE OF RAIL 7.163 m (23.5 FEET)
IF BALLAST LIFTS CONTEMPLATED

NOTE: 7.163 m USED FOR CONCEPT BRIDGE CLEARANCE



ALIGN PROFILE: ALN_CTRL

FUNCTIONAL

PROJECT NO. 504-0047-100r001

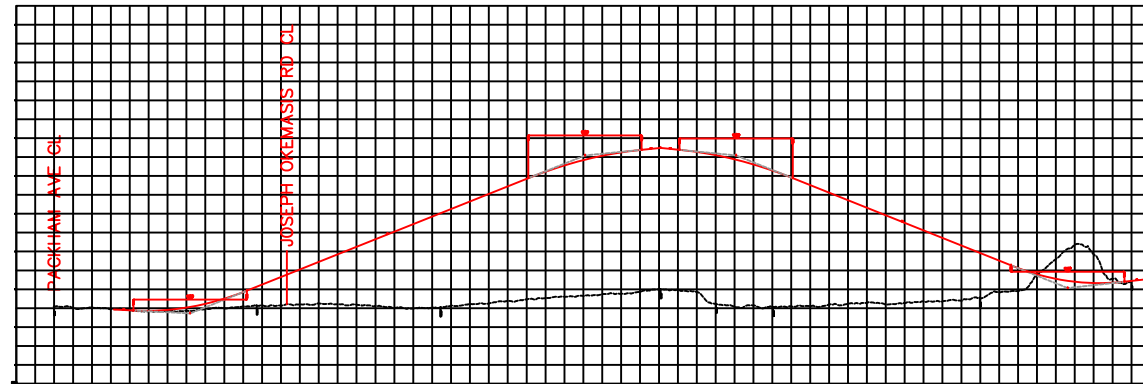
| TRANSPORTATION DIVISION – FUNCTIONAL | |
|--------------------------------------|-------------------------|
| ENGINEER _____ | ENGINEER _____ |
| DATE _____ | DATE _____ |
| DRAWN BY <u>LCI</u> | DATE <u>2011-OCT-05</u> |



McKERCHER – BERINI CONNECTION

BERINI CP RAIL OVERPASS
McKERCHER DR TO BERINI DR
CONCEPT PROFILE

| | |
|------------------|----------------|
| DIRECTOR _____ | |
| SCALES : | DATE _____ |
| HOR. 1:4000 | |
| VERT. 1:400 | |
| SHEET NO. _____ | PLAN NO. _____ |
| 249-0047-103r001 | |



ALIGN PROFILE: ALN_105_CL

MCKERCHER DR CL

ASPEN PLACE CL

FUNCTIONAL
PROJECT NO. 504-0047-100r001

| | |
|--------------------------------------|-------------------------|
| TRANSPORTATION DIVISION – FUNCTIONAL | |
| ENGINEER _____ | ENGINEER _____ |
| DATE _____ | DATE _____ |
| DRAWN BY <u>LCI</u> | DATE <u>2011-OCT-05</u> |



McKERCHER – BERINI CONNECTION
105TH STREET
JOSEPH OKEMASIS RD TO ASPEN PLACE
CONCEPT OVERPASS PROFILE

| | |
|------------------|----------------|
| DIRECTOR _____ | |
| SCALES : | DATE _____ |
| HOR. 1:4000 | |
| VERT. 1:400 | |
| SHEET NO. _____ | PLAN NO. _____ |
| 213-0998-015r001 | |