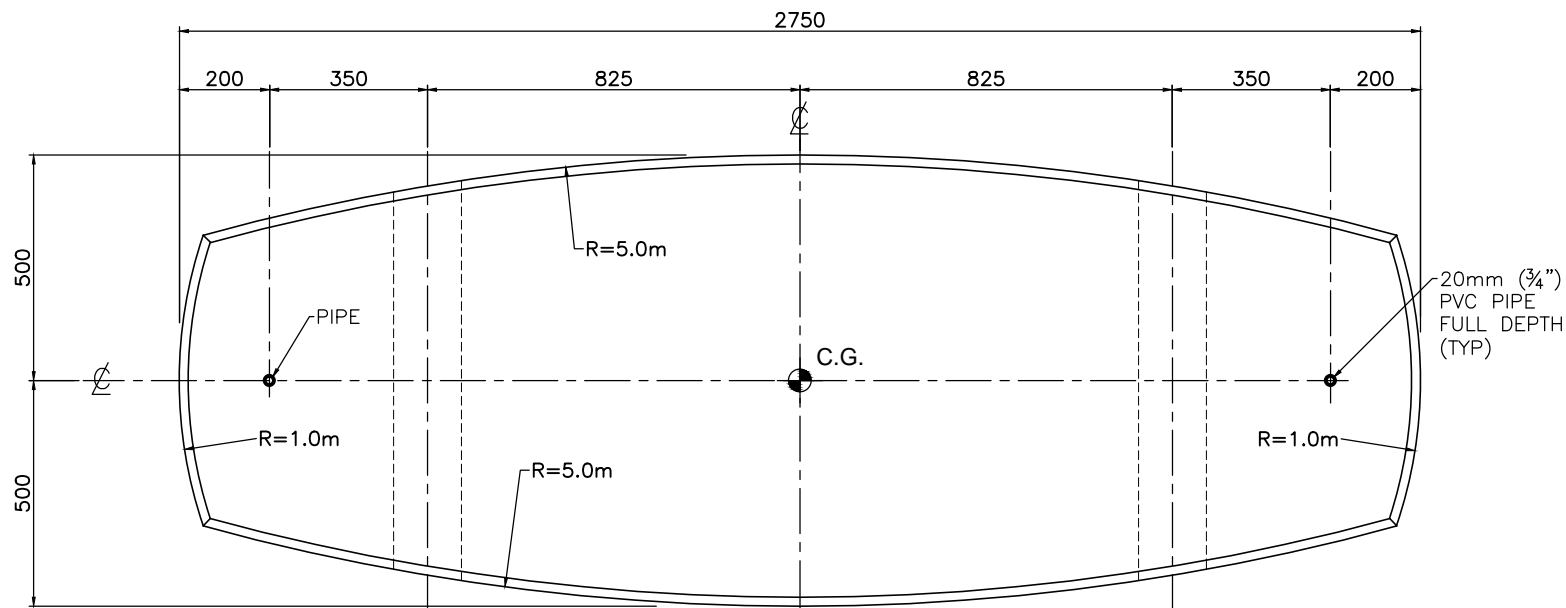


Traffic Calming Curbs (TCCs)



PLAN



ELEVATION

CUSTOMER:	CITY OF CALGARY
ADDRESS:	-
DATE REQUIRED:	-
CONCRETE WEIGHT:	855 kg
CONCRETE VOLUME:	0.356 m ³
PRODUCT CODE:	-
KEY CONCRETE ORDER No.	-



SHEET 1 OF 2

RELEASED TO PRODUCTION:

MOULD #:

POURED:

STRIPPED: