

Cart Specifications

Cart dimensions depend on the specific manufacturer. The following image is an example of a comparison between the 240L and 360L.

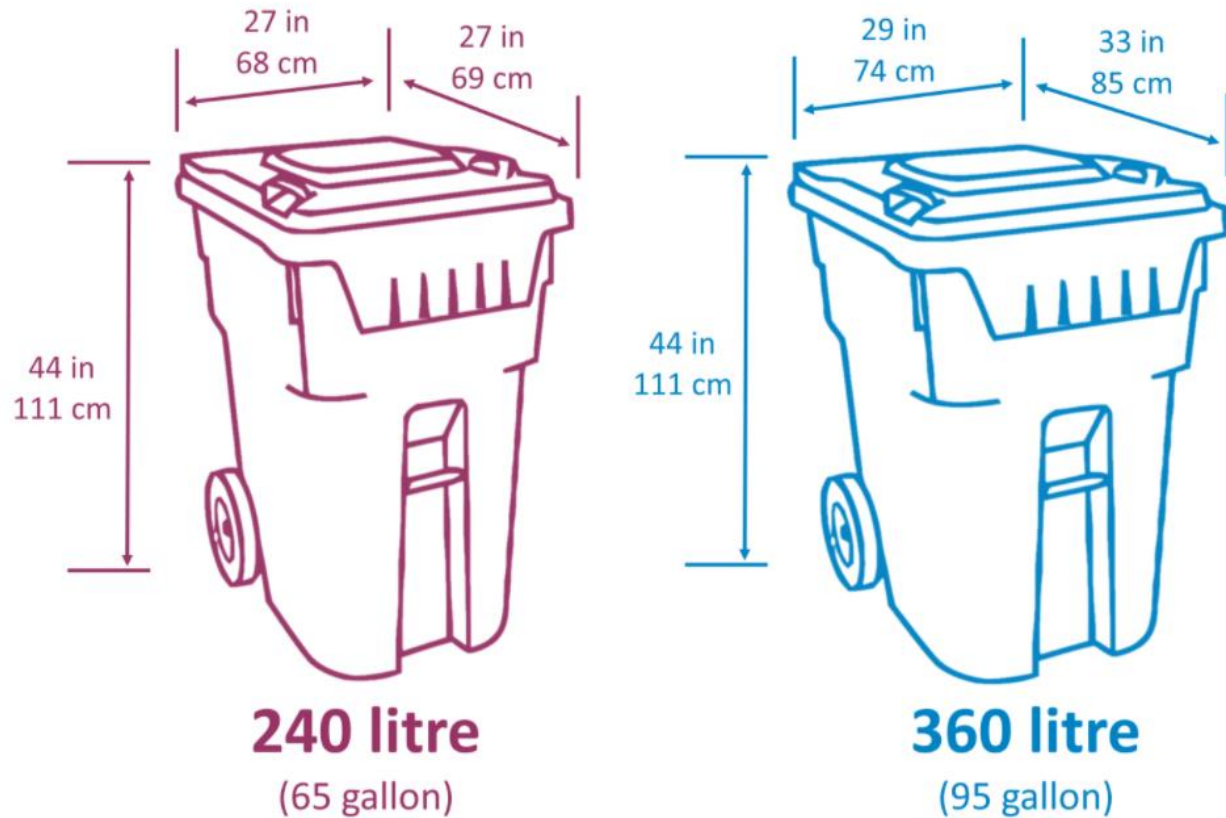


IMAGE SOURCE: City of Nanaimo website - <https://www.nanaimo.ca/city-services/garbage-recycling/cart-exchange>

Weight:

240 L	30.1 lbs
360 L	35.0 lbs

240L and 360 L carts have a similar weight limit (around 132 lbs max capacity).